

## Drop-In Drop-in remote refrigerated well, static (1 GN container capacity)

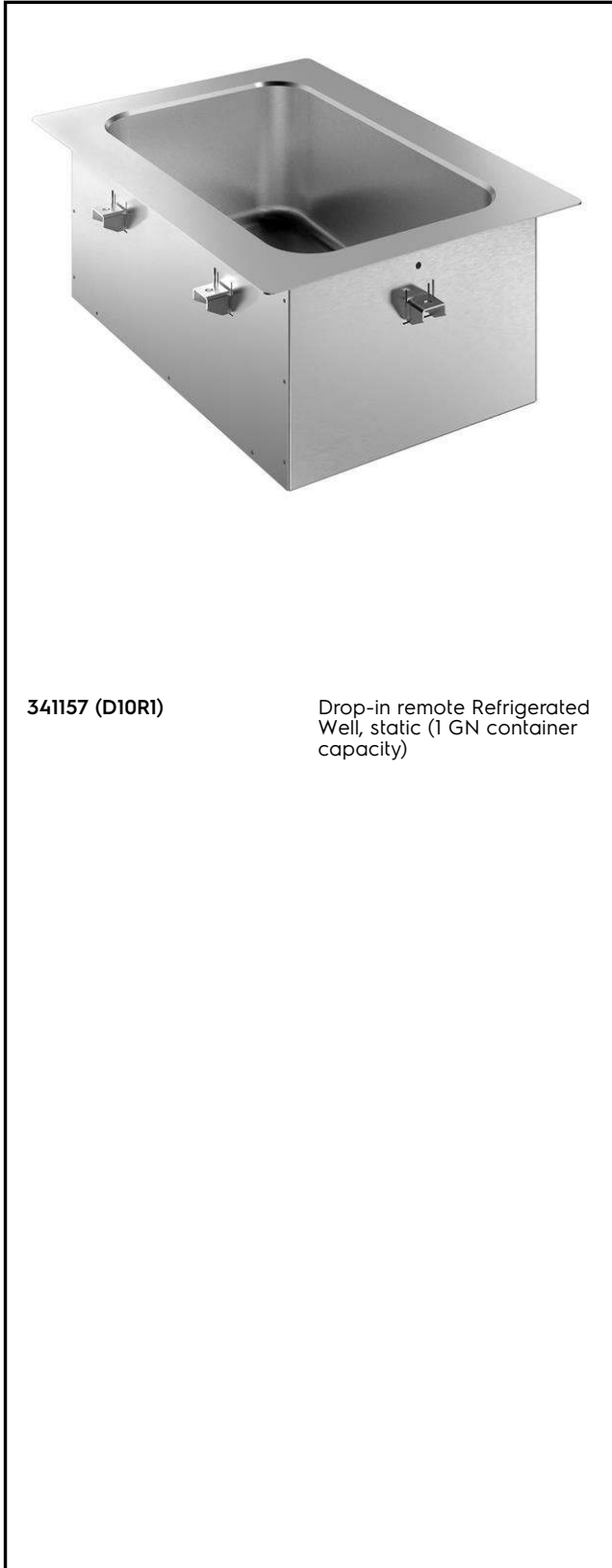
ITEM # \_\_\_\_\_

MODEL # \_\_\_\_\_

NAME # \_\_\_\_\_

SIS # \_\_\_\_\_

AIA # \_\_\_\_\_



341157 (D10R1)

Drop-in remote Refrigerated Well, static (1 GN container capacity)

### Main Features

- Preadjusted connection to remote cooling unit (not included).
- CB and CE certified by a third party notified body.
- Designed to be positioned in flush installation providing improved cleanability and suitable for modern design installations.
- Designed to serve the food in gastronorm containers.
- Suitable for GN 1/1 containers with a maximum height of 200 mm.
- Precise temperature control and setting at 0,1°C .
- As standard the product comes with digitally controlled thermostat which is in line of HACCP norms and provides visual alarm as a warning of the increasing or decreasing temperatures.
- Available drop-in dimensions: 1, 2, 3, 4, 5, 6 GN.
- Food introduced at the correct temperature maintains its core temperature according to Afnor Standards.
- Automatic defrosting guarantees evaporators clearance and efficient well cooling.
- Built-in cooling unit version is available.

### Construction

- Well bottom is inclined to facilitate water drainage.
- Well in 304 AISI stainless steel with rounded corners to facilitate cleaning operations. The well is also equipped with a drain hole.
- Electronic control with temperature display.
- IPx2 water protection.
- The bottom is equipped with copper tubes to ensure proper cooling, with this system the air touches the cold surface and gets cooled.

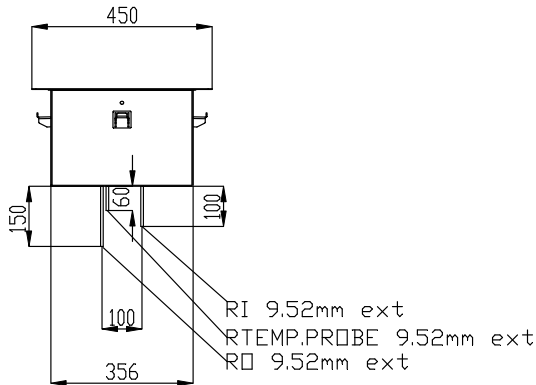
### Sustainability

- High-density expanded polyurethane foam with cyclopentane guarantees excellent well insulation to reduce energy dispersion.

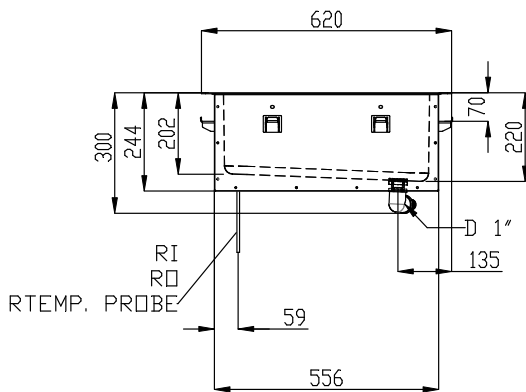


APPROVAL: \_\_\_\_\_

Front

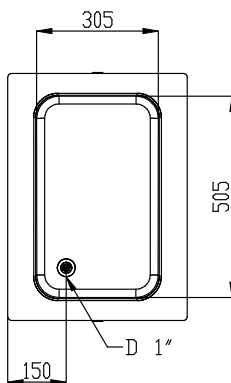


Side



D = Drain  
 EI = Electrical inlet (power)  
 RI = Refrigerant Inlet

Top



#### Electric

Supply voltage:

341157 (D10R1) 220-240 V/1N ph/50 Hz

Electrical power max.:

0.055 kW

#### Water:

Water drain outlet size:

1"

#### Key Information:

External dimensions, Width: 450 mm

External dimensions, Depth: 620 mm

External dimensions, Height: 260 mm

Net weight: 22.5 kg

Shipping weight: ISO 9001; ISO 14001 kg

Shipping height: 720 mm

Shipping width: 490 mm

Shipping depth: 660 mm

Shipping volume: 0.23 m<sup>3</sup>

Set temperature: -15 / 0 °C

#### Refrigeration Data

Refrigerant type: R452A

Connection pipes (remote) -

outlet: 12.7 mm

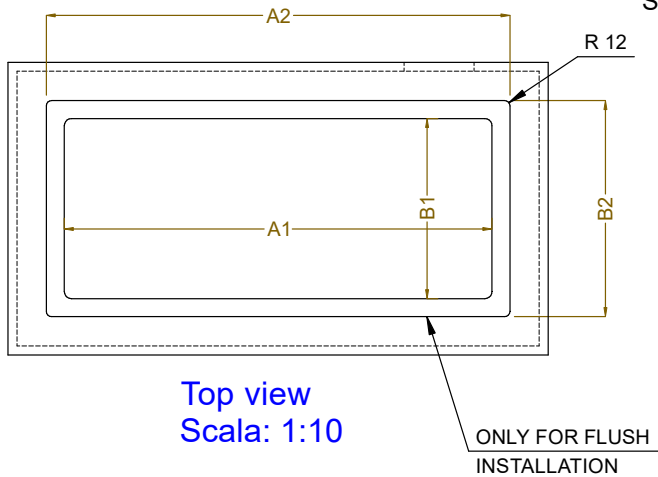
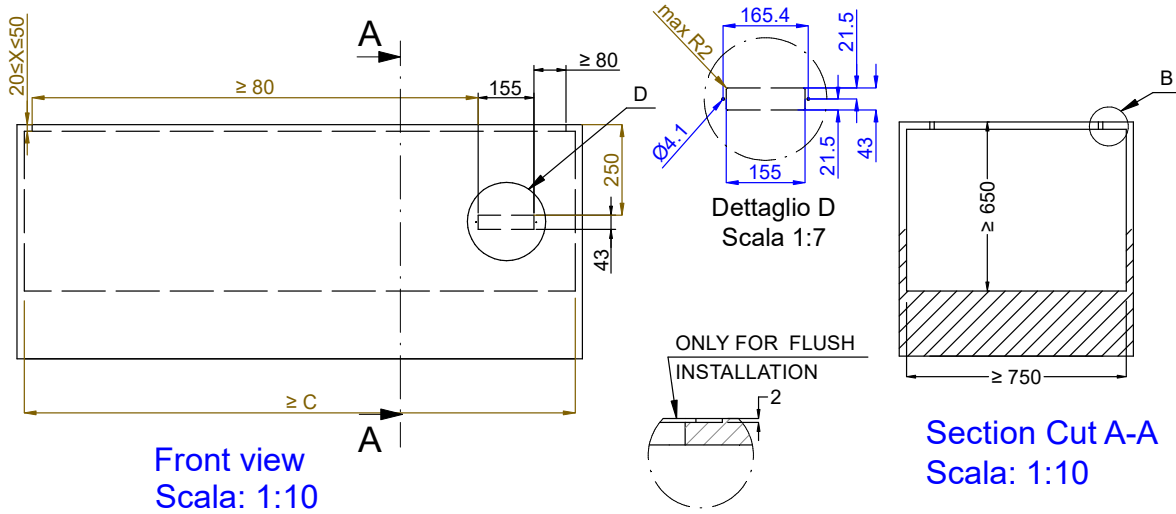
Connection pipes (remote) -

inlet: 9.52 mm

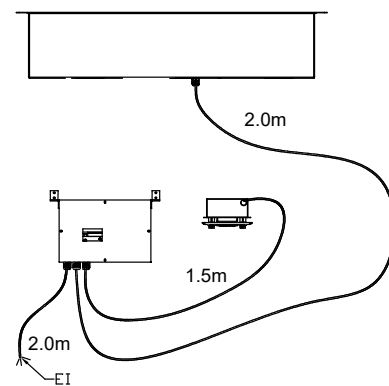
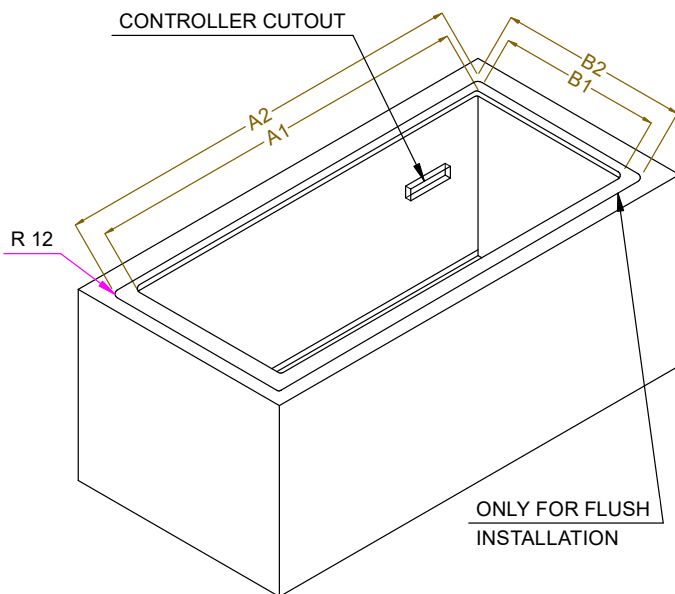
#### Sustainability

Noise level:

0 dBA



CAPACITY	CUTOUT		LOWERING FOR FLUSH INSTALLATION		C
	A1	B1	A2	B2	
1GN	380	580	454	624	560
2GN	700		774		880
3GN	1030		1104		1200
4GN	1350		1424		1530
5GN	1670		1744		1850
6GN	2000		2074		2180



595T02100 - COLD STATIC WELL REM.